



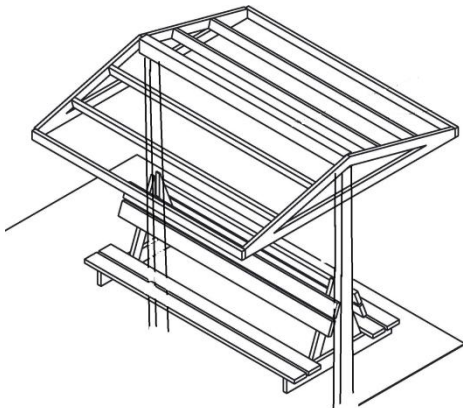
TOWN OF GRANT-VALKARIA

Sandhill Bugle

Volume 9, No.1, April 2015



GRANT-VALKARIA COMMUNITY PARK IS A SUCCESS.



It's been nearly two years since we opened the Grant-Valkaria Community Park. Many families have enjoyed the amenities that are located within the park. We have pavilions, a sports court, horseshoes, playground, walking trails, restrooms, lakes to fish in and birds and wildlife to view. It truly is a unique park.

We have also been blessed with volunteers. Eagle Scout candidate Will Lemstrom is in the process of building 3 shade benches to rest your weary legs while hiking through the park.

Another Eagle Scout, Tristan Clough, completed his project which is the kiosk that serves as our Community bulletin board. We post useful information as well as meeting notices on the board.

We are anxiously awaiting delivery of some new playground equipment that is being provided by donations from the Grant Valkaria Community Association (GVCA). The GVCA has sold Christmas ornaments, sponsored a golf tournament, and have held other fund raisers to help improve the park. The newest event will be the County Run 5k which will be held at 1449 Valkaria Road on April 11, 2015 prior to the 9th Annual Grant Valkaria Day Celebration.



We have also received 2 grants from Rockwell Collins Green Communities Grant Program for improvements in the Park and are waiting to hear if we are successful a third time. These funds will be utilized to create a nature preserve in the park.

In the near future the town will be setting up a program to honor your loved ones through memorial benches and trees in the park. Notice will be given in a future newsletter or email once the details are finalized.

I want to thank those who have contributed to the parks success and let everyone know that volunteers are welcome anytime.

2015 HOLIDAY SCHEDULE

Town Hall will be closed for the following holiday dates:

- Monday, May 25, 2015 In Observance of Memorial Day
- Monday, September 7, 2015 In Observance of Labor Day
- Wednesday, November 11, 2015 In Observance of Veteran's Day
- Thursday, November 26, 2015 In Observance of Thanksgiving Day
- Thursday, December 24, 2015 In Observance of Christmas Eve
- Monday, December 28, 2015 In Observance of Christmas Day

IN THIS EDITION

Share the Road	Page 2
File for Life	Page 2
Angel Tree	Page 2
Did You Know	Page 2
Ordinance Listing	Page 3
Stories to Share	Page 3
Join our Email	Page 3
5k Walk/Run	Page 3
Grant Valkaria Day	Page 4
Keep In Touch	Page 5
Donations Needed	Page 5
Calendar of Events	Page 6

SHARE THE ROAD

In rural areas we expect to see individuals riding horses. According to 316.003(53) Traffic is defined as "Pedestrians, ridden or herded animals, and vehicles, streetcars, and other conveyances either singly or together while using any street or highway for purposes of travel." It is important that when we come upon a horse and rider that we use compassion and understanding because horses have poor side vision and can easily be spooked by loud noises and sudden movements. Not only is it common courtesy Chapter 316.0825 F.S. states "Every person operating a motor vehicle shall use reasonable care when approaching or passing a person who is riding an animal upon a roadway or shoulder thereof, and shall not intentionally startle or injure such animal." It proceeds to state that "a violation of this section is punishable by a moving violation." Though you may be pressed for time it is extremely important that you take the time to slow down, and ensure that you provide a safe distance when passing a horse and rider to prevent injury or even death.

Though it is extremely important for vehicles to make sure they are considerate to those horse and riders it is also important that horse and riders are considerate of vehicular traffic. If it is possible for the horse and rider to move over to the shoulder or farther onto the shoulder to allow vehicular traffic to pass be courteous and do so, to do your part to prevent accidents or injury.

FILE FOR LIFE

Did you know that about 58% of all emergency calls are for Senior Citizens? Medical emergencies can happen to anyone at any time. The FILE OF LIFE is a personal medical home file prepared for emergency first responders. It is economical, effective and efficient. It is endorsed by hospitals, EMT's, National Sheriff's Association, and Fire Departments.

You would fill out the medical card in pencil with all your up to date medical data and date it. Place it on the outside face of your refrigerator. You can even take it with you when you visit your doctor.

This is designed to provide emergency personnel with the necessary medical data to being immediate treatment. First responders instantly know your medical history and can take corrective treatment immediately. Hospital emergency staff will have your data upon arrival and there is no wasted time getting information from confused patients. The benefit to each individual is that you can have peace of mind knowing prompt and quality care will be given to you because they have access to potentially life-saving information and that proper person will be notified quickly.

FILE OF LIFE packets are available at Town Hall, 1449 Valkaria Road, Monday through Thursday, 8:30 a.m. – 6:30 p.m.

ANGEL TREE SUCCESS

In December 2014, the town put up our very first Angel Tree to help the Salvation Army provide over 2300 children and home residents with Christmas Gifts. We started our first tree with 20 Angels and picked up four more due to the large response from our residents, and staff. We would like to thank all of the individuals that sponsored a child or adult last holiday season and remind you that you gave the gift of Christmas to someone that may not have received it otherwise. Again we thank you for your support and can't wait to see the community response next holiday season.

DID YOU KNOW?

- That ZUMBA fitness classes are being offered Tuesday and Thursday at 7:00 p.m. and Body Toning and ZUMBA GOLD are Wednesday and Friday at 9:30 a.m. Please contact Lisa at 321-213-0571 for details.
- The Grant Community Library is opened Tuesday from 10 a.m. until 4 p.m., Thursday from 6 p.m. until 7:30 p.m. and Saturday from 10 a.m. until 12 p.m. If you are interested in volunteering at the Grant Community Library please contact Gert Jackson, Librarian at (321)733-0636.
- That the Valkaria Airport, Valkaria Aviation Association serves a pancake breakfast on the third Saturday of the month from 8am to 11am. Breakfast is \$5.00 and Family friendly.
- That as a resident of Grant Valkaria you can become a member of the Grant Community Club. Meetings are held the 2nd Monday of the month at 6:30pm. Come make a difference, share your ideas and get involved.
- The Benson House is a wonderful place to visit and full of interesting history. Please stop by and visit the Benson House locate at 5795 S. Highway 1, Grant Valkaria, Florida 32949.

GRANT VALKARIA DAY VOLUNTEERS AND SPONSORS

If you are interested in volunteering during our 9th Annual Grant Valkaria Day Celebration please call 321-951-1380 or send an email to Info@grantvalkaria.org. If you are a business owner and are looking to advertise we are looking for donations of raffle prizes for the event and will mention your name during the drawing..

LISTING OF ALL ORDINANCES RECENTLY ADOPTED BY THE TOWN

The following Ordinances have been adopted by the Town Council. They are available for public inspection at Town Hall located at 1449 Valkaria Road, Grant Valkaria, Florida 32950

The Ordinances are also available on the Town website at www.grantvalkaria.org

ORDINANCE NO.	DESCRIPTION
2014-05	Golf Cart Ordinance Amending Ordinance No. 2011-05
2014-07	Rezone Parcel Id # 29-38-16-50-00000.0-0001.01 from BU-2 (Retail warehousing and wholesale commercial) to AU (Agricultural Residential).
2014-08	Code Enforcement Board Amendment
2014-09	Planning and Zoning / Local Planning Agency Amendment
2015-01	Defining Farm Access

STORIES TO SHARE

Dear Town of Grant Valkaria Residents,

The Town is looking for stories of the town's history to put into our Sandhill Bugle Newsletters. These stories can be stories from our residents' experience of how the town has grown to be. Stories that our residents think should be passed down from generation to generation. If you are interested in submitting a story please email them to info@grantvalkaria.org.

HAVE YOU BEEN PUTTING OFF CLEANING OUT YOUR PANTRY?

The Calvary Baptist Church has been working to provide a food pantry for the hungry and less fortunate every Thursday from 10:00am until noon. If you are able to donate and need these items picked up please call Betty White at (321) 724-2262 or feel free to drop off items during the food pantry hours.

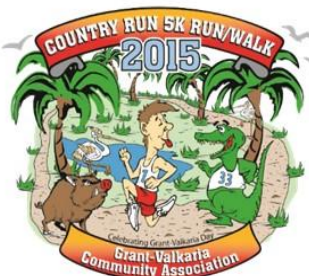
Sunday School & Worship
9:45 am until 1:00 pm.
Bible Study & Worship Service
Sunday
5:00 pm until 7:00 pm
Prayer Meeting
Wednesday
6:30pm until 7:30 pm

Calvary Baptist Church
5640 Old Dixie Hwy
Grant Valkaria, Florida 32949

JOIN OUR EMAIL LIST TO STAY UP TO DATE ON CURRENT TOWN EVENTS AND INFORMATION..

If you would like to join the Town's email list please visit our website at www.grantvalkaria.org.

Click the contact us tab and scroll down to the link that says "[Click Here to Join the Town E-Mail List.](#)"



Sign up to run or walk in Grant-Valkaria's first 5K!

April 11, 2015 - 7:30 Start

\$25.00 Entry Fee OR

\$25.00 "Sleep-in-Special"

(show your support while you stay in bed, or if you are out of town!)

Get a Team together or run on your own –awards for top 3 Teams, Overall Male & Female, Masters Male & Female, Age Groups. Race bag and after race snacks.

Shirts for first 150 to register!

Register on-line at: www.GVCAofBrevard.org

Registration Forms available at Town Hall

Late registration on day of race starting at 6:30 am

Information and to Volunteer: GVCA@cfl.rr.com

To help Sponsor the Country Run 5K: www.GVCAofBrevard.org

Donations are Tax-Deductible

Proceeds will go towards playground equipment and park improvements

Join the 9th Annual Grant-Valkaria Day Celebration right after the race!

Music, BBQ, Raffles, Games and Fun!





The
Town of Grant Valkaria
would like to invite you to
enjoy a free fun filled day
with your families and
neighbors!!

9th Annual Grant Valkaria Day

Saturday, April 11, 2015
9:00 pm to 4:00 pm

Grant Valkaria Community Park
1449 Valkaria Road
Grant Valkaria, Florida 32950

For more information contact
Town Hall at (321) 951-1380

Sponsored By:



Entertainment to include:
5k Country Walk/Run hosted
by the GVCA at 7:30 am
Youth Fishing Derby at
9:00a.m.

Music, a Car Show,
Raffle Prizes and Food for
All.

Games, Trains, Bounce houses
and

More for the kids!

KEEP IN TOUCH WITH YOUR COMMUNITY AND HELP US KEEP IN TOUCH WITH YOU

The **Town Newsletter** will be published quarterly and mailed to all households in Grant-Valkaria. If you live in Grant-Valkaria and don't receive the letter, please call Town Hall (321) 951-1380.

The **Town Website** is www.grantvalkaria.org.
You can be added to the Town Email List by emailing: Webmaster@grantvalkaria.org

The **Town Hall location**: 1449 Valkaria Road Grant Valkaria, Florida 32950

The **Town Hall mailing address**: PO Box 766, Grant, Florida 32949

The **Town Hall phone number is**: (321) 951-1380

The **Town Hall fax number is**: (321) 956-5660

The **Town Hall Bulletin Board** is located at Town Hall, outside the building. Meeting notices and important announcements will be posted there. There is also a bulletin board at the Grant Community Center on which Town information will be posted.

The regular **Town Council Meetings** are held on the 2nd Wednesday of each month at 7:00 pm at Town Hall. If a special meeting is scheduled or the date, place or time of regular meetings changes, the changes will be posted on the Bulletin Board and sent out to the Town Email List.

To contact Council Members:

All Council Members:	GVC@grantvalkaria.org
Mayor Del Yonts:	DYonts@grantvalkaria.org
Council Member Lisette Kolar:	LKolar@grantvalkaria.org
Council Member Pat Bryan:	PBryan@grantvalkaria.org
Council Member Cathy DeMott:	CDeMott@grantvalkaria.org
Council Member Dan Faden:	DFaden@grantvalkaria.org
Council Member Tom Sammon:	TSammon@grantvalkaria.org
Vice Mayor Dan Robino:	DRobino@grantvalkaria.org

To contact our Town Administrator, Rick Hood: TownAdmin@grantvalkaria.org

To contact our Town Clerk, Sue Krueger: Clerk@grantvalkaria.org

To contact our Deputy Town Clerk, Jessica Williams: Info@grantvalkaria.org

The regular **Local Planning Agency/Planning and Zoning Board** meetings are held on the 4th Monday of each month. If a special meeting is scheduled or the date, place or time of regular meetings changes, the changes will be posted on the Bulletin Board and sent out to the Town Email List.

The **Code Enforcement Board** meets on the 1st Tuesday of the month as needed. All meeting notices will be posted on the Bulletin Board and sent out to the Town Email List.

The **Town Charter, Town Council minutes** and pending and adopted **ordinances** and **resolutions** are available for your review on the Town website, or at Town Hall.

Please call, email, or visit Town Hall with any ideas you may have – this is **your** community!

HOSPICE OF ST. FRANCIS

Hospice of St. Francis is a non-denominational, independent, non-profit hospice with offices in Melbourne and Titusville. Providing hospice care and support to patients and families throughout Brevard County. Hospice of St. Francis is seeking caring volunteers to provide respite care and companionship to hospice patients and their caregivers throughout Brevard County.

Volunteers are needed in Melbourne, Palm Bay, Beachside, and Barefoot Bay.

Training is required please contact Mary Larson, Coordinator of Volunteer Services at (321) 269-4240 or visit www.hospiceofstfrancis.com

THE SANDHILL BUGLE

is published quarterly by the

Town of Grant-Valkaria

1449 Valkaria Road
Grant Valkaria, Florida 32949

951-1380

Editor-in-Chief




Jessica Williams

Contributing Editors

Rick Hood, Town
Administrator

Sue Krueger, Town Clerk

CALENDAR OF COMMUNITY EVENTS

March 27 th	Toys for Kids BBQ Festival 3:00pm-9:00pm (4580 First Street)
March 28 th	Toys for Kids BBQ Festival 10:00am – 8:00pm (4580 First Street)
March 28 th	Pioneer Fish Fry 5:00pm – 6:30pm Cost \$7.00(5795 Highway 1)
March 29 th	Toys for Kids BBQ Festival 10:00am -5:00pm (4580 First Street)
March 29 th	Pioneer Fish Fry Rain Date
April 3 rd	Good Friday
April 4 th	Easter Egg Hunt 9:00 am (4580 First Street)
April 4 th	Grant Valkaria Park Clean Up Day (1449 Valkaria Road)
April 5 th	Easter Sunday 
April 11 th	5k Country Walk/Run 7:30am start. Register at WWW.GVCAofBrevard.org . (1449 Valkaria Rd)
April 11 th	9 th Annual Grant Valkaria Day Celebration 9:00am - 4:00pm (1449 Valkaria Rd)
May 10 th	Mothers' Day
May 25 th	Memorial Day 
June 1 st - September 29 th	The Grant Historical House will be closed
June 21 st	Fathers' Day
July 4 th	Independence Day
September 11 th	Labor Day 
October 17 th	Flea Market at the Grant Historical House 8:00am - 2pm (5795 Highway 1)
October 31 st	Halloween
November 11 th	Veterans Day
November 26 th	Thanksgiving Day
December 3 rd - 6 th	Grant Historical House Christmas Open House 10:00am-6:00pm (5795 Highway 1)
December 5 th	Annual Christmas tree lighting (tentative date)
December 9 th -11 th	Grant Historical House will be open from 10:00am – 6:00pm
December 16 th – January 6 th	Grant Historical House will be closed
December 24 th	Christmas Eve
December 25 th	Christmas Day